

COMMON MODE CHOKE COILS / BSP TYPE

FEATURES

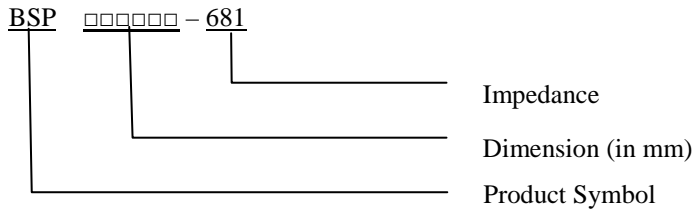
- ◆ High impedance for common mode noise and low impedance for differential
- ◆ Large rated current available
- ◆ Wide band or sharp type impedance curve available



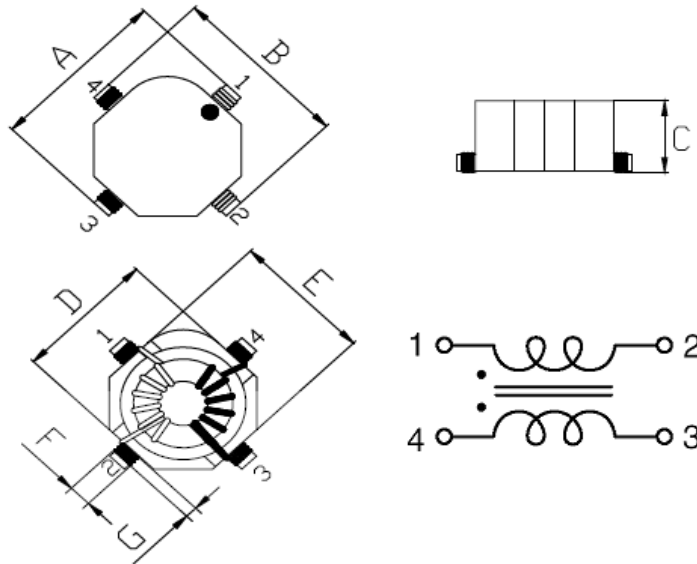
APPLICATIONS

Prevention of common mode noise on signal Line and power lines for computer related or electronic Products.

ORDERING CODE



SHAPES



DIMENSIONS (UNIT: mm)

Part No.	A	B	C (Max)	D	E	F (Ref.)	G (Ref.)
BSP 111160	11.2 ± 0.5	11.2 ± 0.5	6.0	8.8 ± 0.5	8.8 ± 0.5	2.2	0.8
BSP 131375	13.8 ± 0.5	13.8 ± 0.5	7.5	11.0 ± 0.5	11.0 ± 0.5	2.8	0.8

CORE MASTER ENTERPRISE CO., LTD.



<http://www.coremaster.com.tw>

COMMON MODE CHOKE COILS / BSP TYPE

ELECTRICAL CHARACTERISTICS FOR BSP

Part No.	Impedance (Ω) (Min) N1=N2	Test Frequency (MHz)	DC Resistance (m Ω)(Max)	Rated Current (mA)(Max)	Hi-Pot (1-4 to2-3)
BSP 111160-361	360	90	35	4000	AC250V/1mA/1S
BSP 131375-321	320	100	50	2500	AC250V/1mA/1S
BSP 131375-681	680	60	35	4000	AC250V/1mA/1S

CORE MASTER ENTERPRISE CO., LTD.

<http://www.coremaster.com.tw>

